



### Assembly and Installation Instructions for Model's

# 10095/96PN

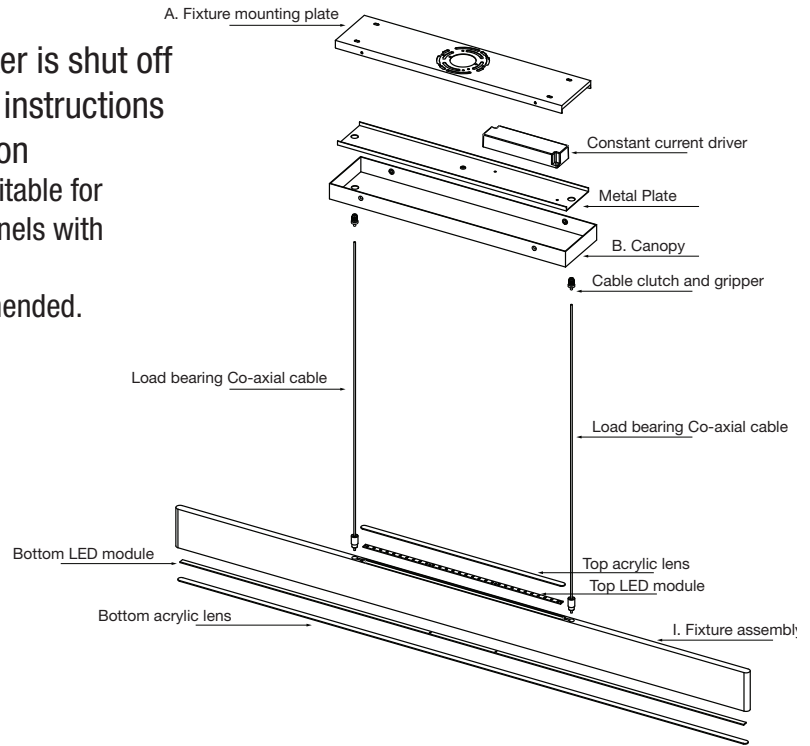
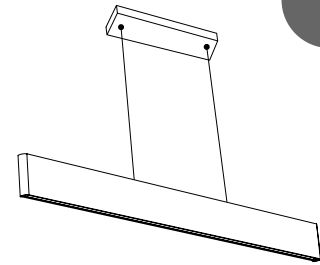
## CAUTION - RISK OF FIRE

Installation of this fixture should be done by a licensed electrician or by a person familiar with local electrical codes and the construction and operation of this fixture.

**Warning** please make sure the electrical breaker is shut off and you read and familiarize yourself with these instructions before commencing with this installation

This fixture is certified for ceiling mounting only and is suitable for Damp locations and utilizes 12v Constant Current LED panels with supplied matching driver.

Dimmable with most dimmers, an ELV dimmer is recommended.



Package Contents		
Part	Description	Qty
A	Fixture mounting plate	1
B	J-Box mounting bolts	2
C	Plastic anchors	4
D	Anchor screws	4
E	Wire connectors	3
F	Fixture mounting screws	2
G	Fixture assembly	1

### Installing the fixture *please ensure the electrical breaker is switched off before commencing*

- Mark the location of the angle which the fixture will be installed by loosely attaching the Fixture mounting plate (A) to the Junction-Box and mark the position of four holes required for the supplied anchors. (C). Remove the Universal mounting plate and drill holes on these marks and insert the anchors (C). Re-attach the Fixture mounting plate (A) with the two supplied mounting bolts (B) to the Junction-Box and insert the supplied Anchor screws (D) into the anchors and securely tighten.
- Connect the Supply wires to the Fixture wires using the supplied Electrical wire connectors (E). White supply wire to the White fixture wire, Black supply wire to Black fixture wire and the ground Bare Copper or Green wire to the Green fixture wire. Once the Electrical wire connectors are securely fastened it is recommended to tape these connectors with electrical tape.
- Attach the Fixture assembly (G) to the Fixture mounting plate (A) and with the supplied Fixture mounting screws (F) and secure at each side.
- Adjust the pendant to the required height by releasing the clutch on the cable gripper by pushing the rod in the center of the gripper.
- Switch on the electrical breaker switch and your new fixture is ready for many years of trouble free use

